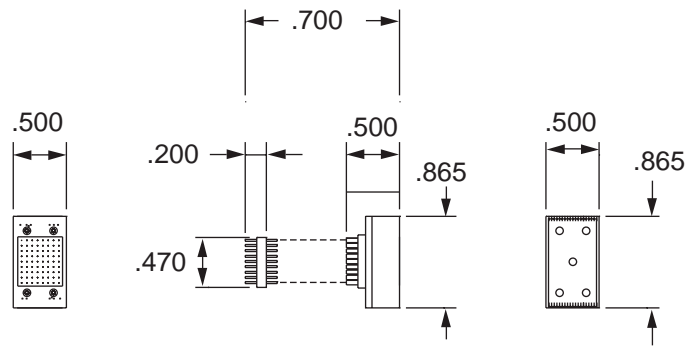
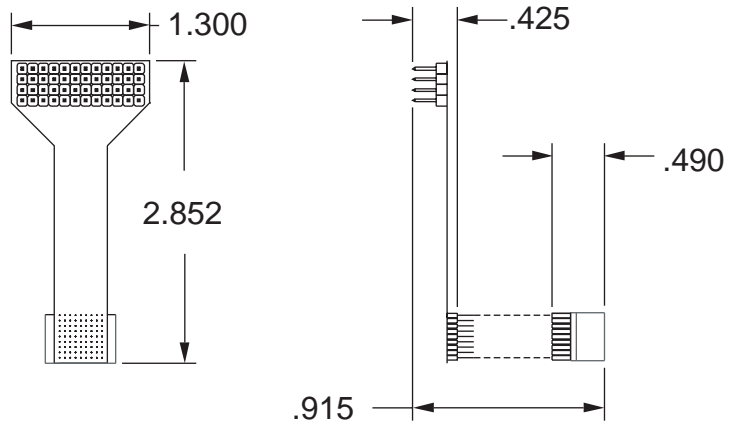


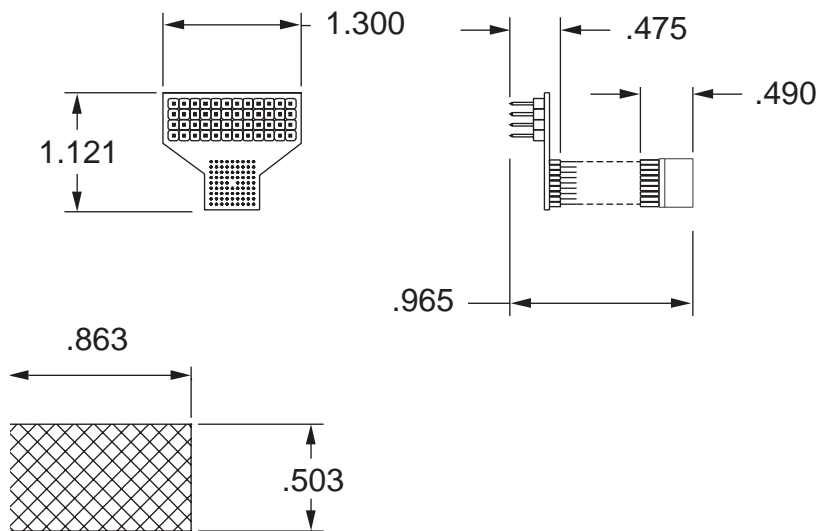
# CLIP-048-TS01-KIT



Document # 34232



Document # 34240



KEEPOUT AREA

Document # 34248