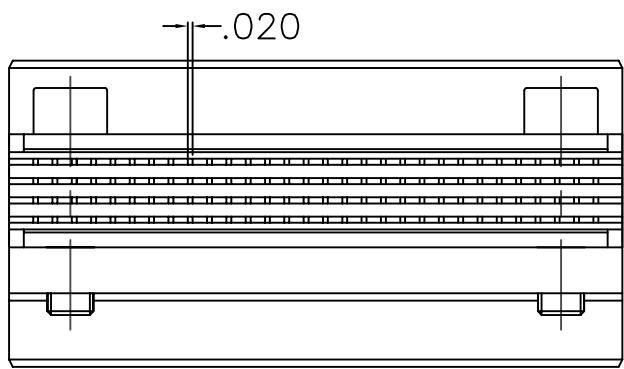
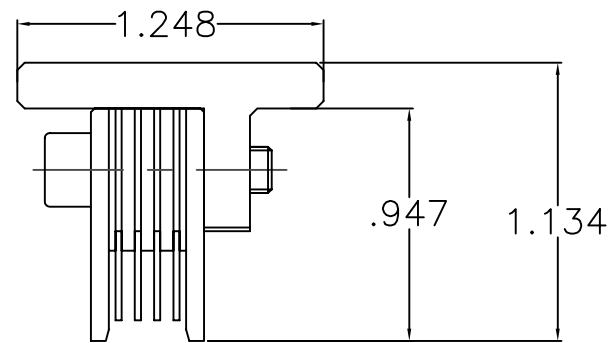
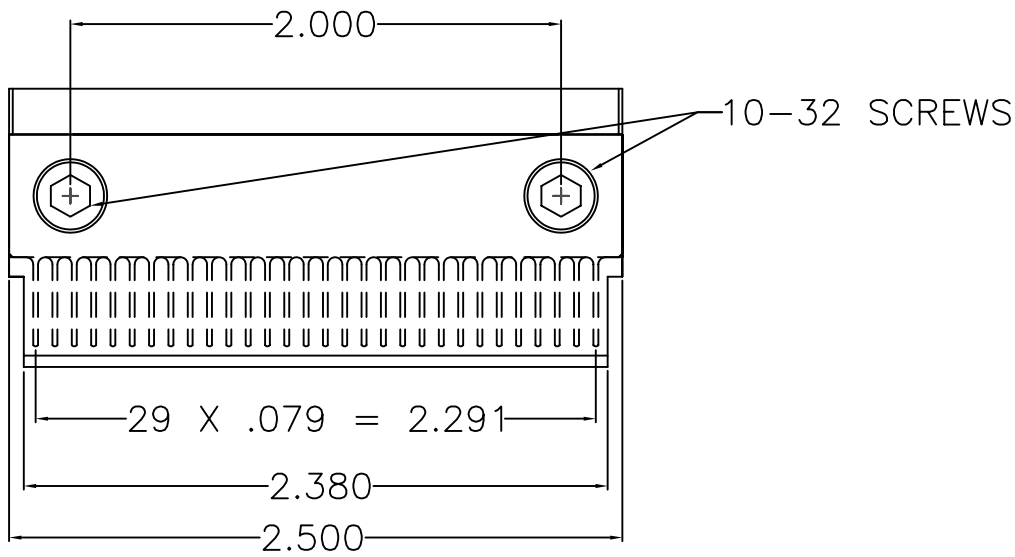
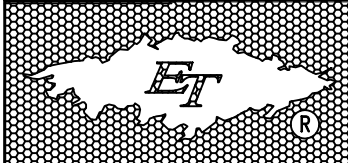


REV	DESCRIPTION	DATE	BY
A	NEW DRAWING	11/16/05	H.N.

F7626



ALL DIMENSIONS ARE IN INCHES UNLESS OTHERWISE SPECIFIED



Emulation Technology, Inc.

— VLSI and SMT ADAPTERS and ACCESSORIES —

2344 Walsh Avenue, Bldg.F
Santa Clara, Ca 95051

TEL:(408)982-0660
FAX:(408)982-0664

NOTES: UNLESS OTHERWISE SPECIFIED
1. MATERIALS: BASE- A2 TOOL STEEL
PINS - SPRING STEEL

UNLESS OTHERWISE SPECIFIED: DIMENSIONS ARE IN INCHES AND TOLERANCES ARE:		
FRACTIONS	DECIMALS	ANGLES
±1/64	.XX ± .02 .XXX ± .010	±1°

SHEET: 1 OF 1	DATE: 11/16/05	REVISION: A	ASSEMBLY DRAWING
CHECKED: Perry Munroe	DRAWN: Huy Nguyen	ITEM: HW-PC104-PRESS1	
Scale N/A	DO NOT SCALE DRAWING	DESCRIPTION: HW-PC104-PRESS1	