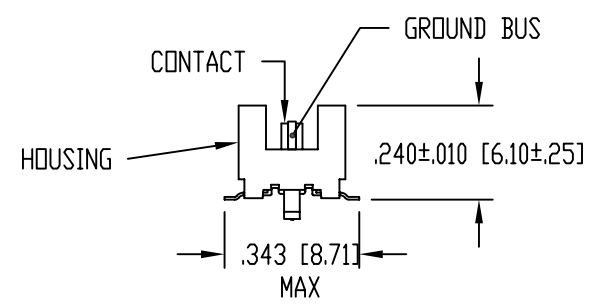
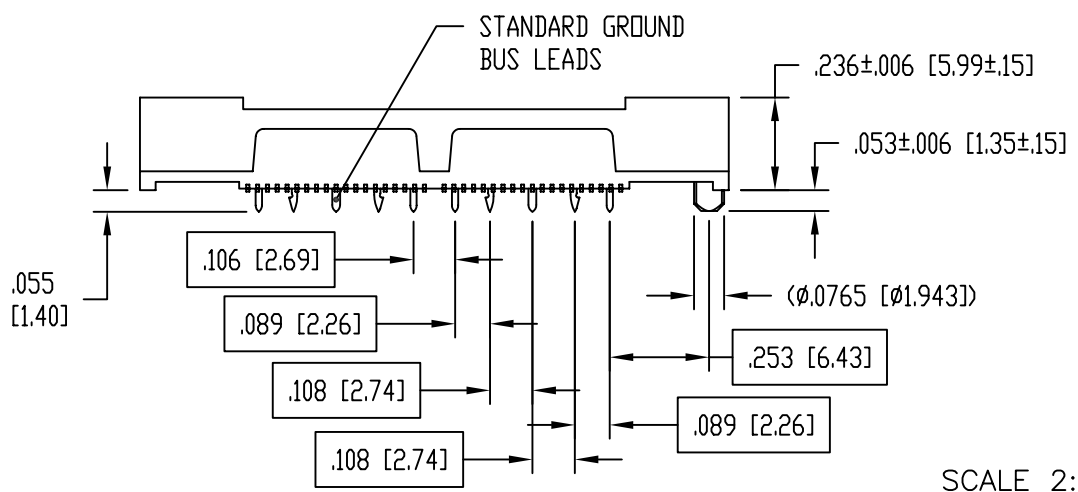
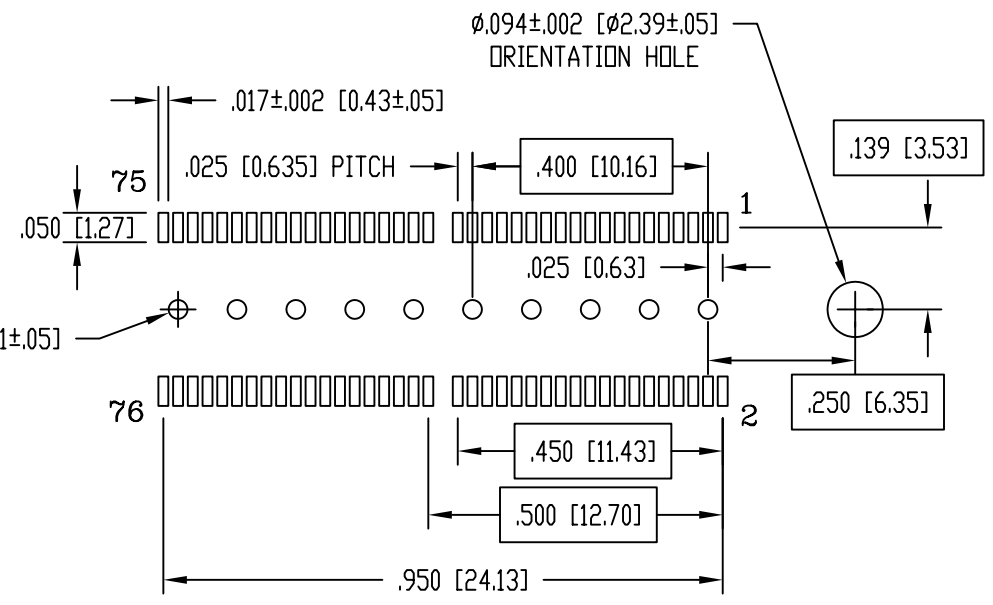
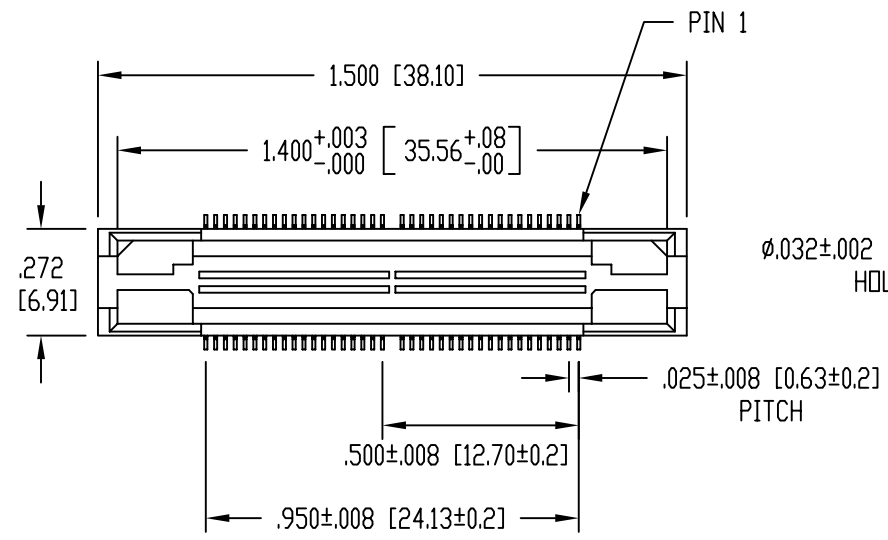
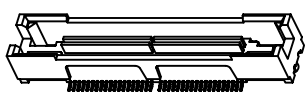


REV	DESCRIPTION	DATE	BY
A	NEW DRAWING	10/20/10	JAG

F8277

RECOMMENDED PC BOARD LAYOUT
(VIEWED FROM CONNECTOR SIDE)
(SCALE 3:1)



SCALE 2:1

ALL DIMENSIONS ARE IN INCHES [MM] UNLESS OTHERWISE SPECIFIED

	EMULATION TECHNOLOGY, INC. — VLSI and SMT ADAPTERS and ACCESSORIES —	
	759 FLYNN ROAD CAMARILLO, CA 93012	TEL: (805) 383-8480 FAX: (805) 383-8484

UNLESS OTHERWISE SPECIFIED:
DIMENSIONS ARE IN INCHES [MM]
TOLERANCES ARE:
DECIMALS: .XX ±0.010 .XXX ±0.005 .XXXX ±0.0005
FRACTIONS: [.X] ±0.25 [.XX] ±0.13 [.XXX] ±0.013
ANGLES: ±10° ±1/64

SHEET: 1 OF 1	DATE: 10/20/10	REVISION: A	ASSEMBLY DRAWING
CHECKED:	PREPARED BY: J. GELACIO	ITEM: CONMICFEM76SMT	
DO NOT SCALE DRAWING			DESCRIPTION: CON-MICTOR-FEM-76-SMT