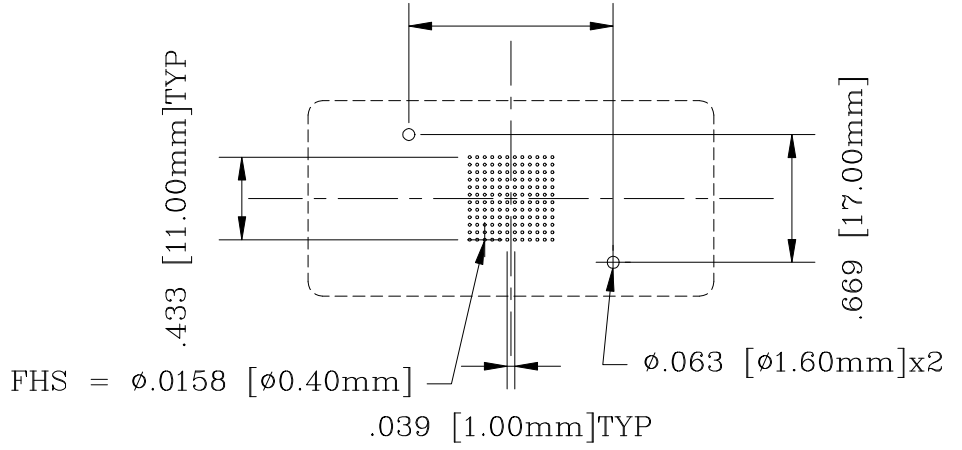
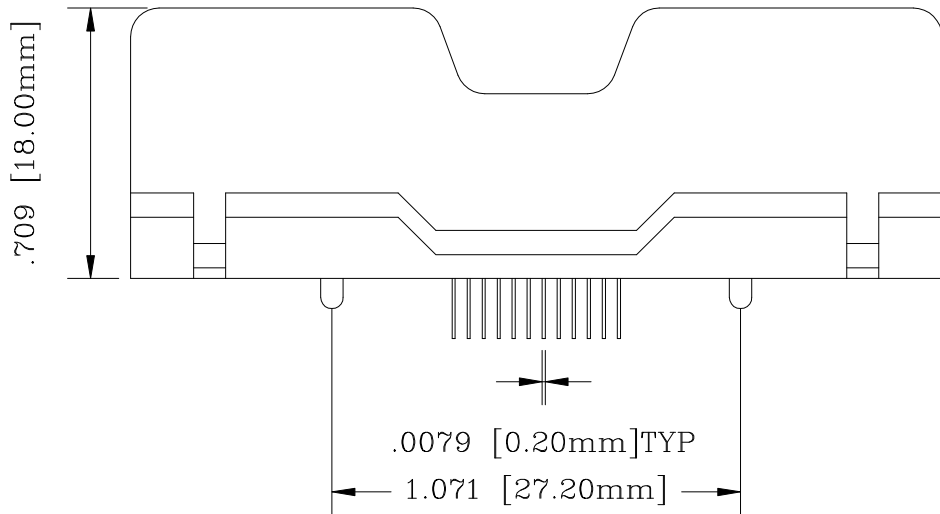
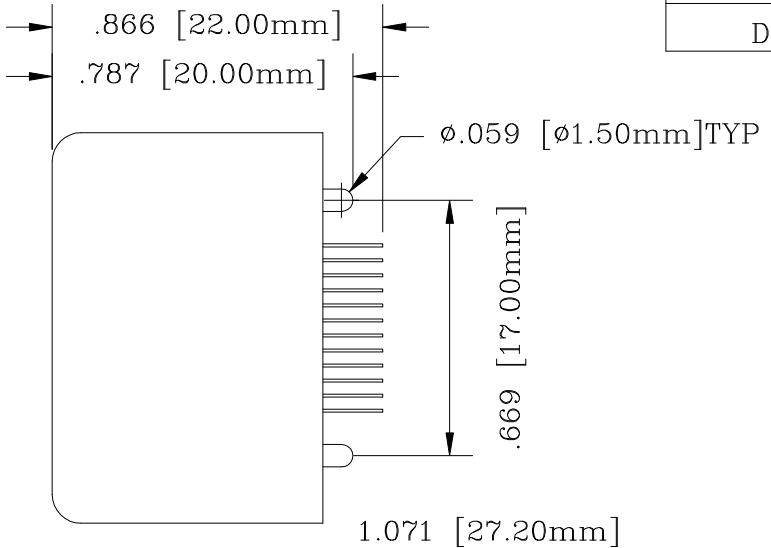
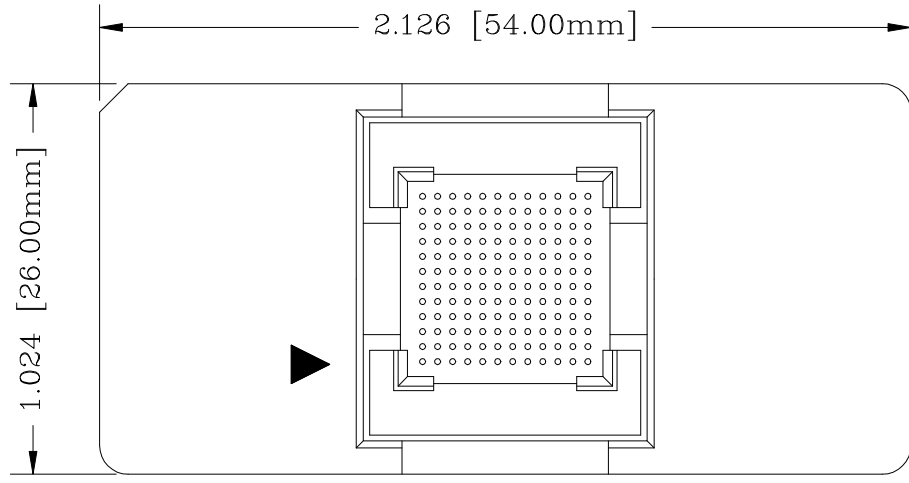


REV	DESCRIPTION	DATE	BY
A	NEW DRAWING	5/24/01	A.F.

SKT 1157
DOD 41157

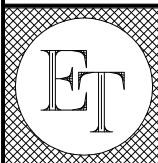


RECOMMENDED PCB LAYOUT
AS SEEN FROM TOP OF SOCKET

SCALE 2:1

PACKAGE SPECIFICATIONS	
PIN COUNT	= 144
LEAD PITCH	= 1.00mm
GRID SIZE	= 12x12
PACKAGE SIZE	= 13.00mm SQUARE

ALL DIMENSIONS ARE IN INCHES UNLESS OTHERWISE SPECIFIED



Emulation Technology, Inc.
— VLSI and SMT ADAPTERS and ACCESSORIES —

2344 Walsh Avenue, Bldg. F
Santa Clara, Ca 95051

TEL:(408)982-0660
FAX:(408)982-0664

SHEET: 1 OF 1	DATE: 5/24/01	REVISION: A	ASSEMBLY DRAWING
CHECKED: Perry Munroe	DRAWN: Aaron Fine	ITEM: S-BGA-12-144-A1	DESCRIPTION: S-BGA-12-144-A1
DO NOT SCALE DRAWING			