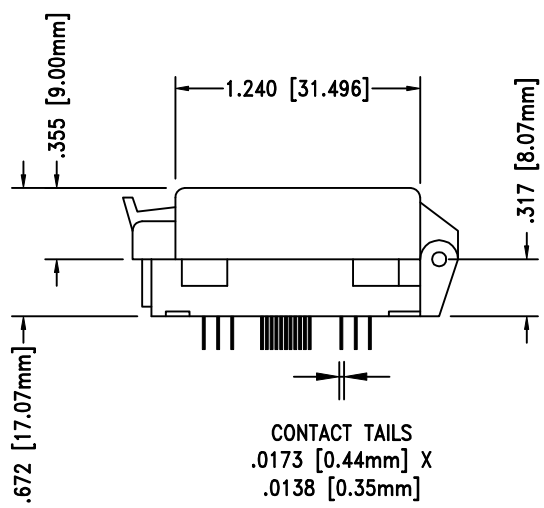
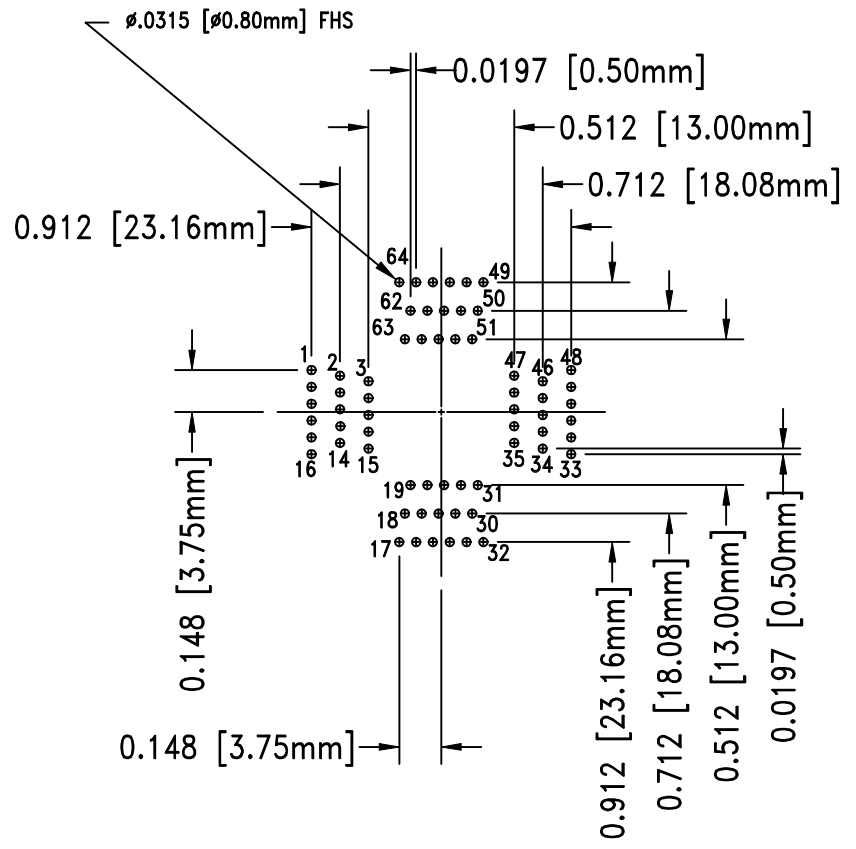
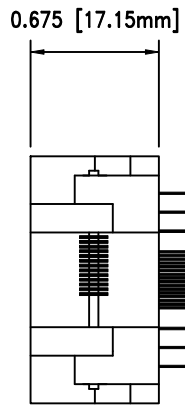
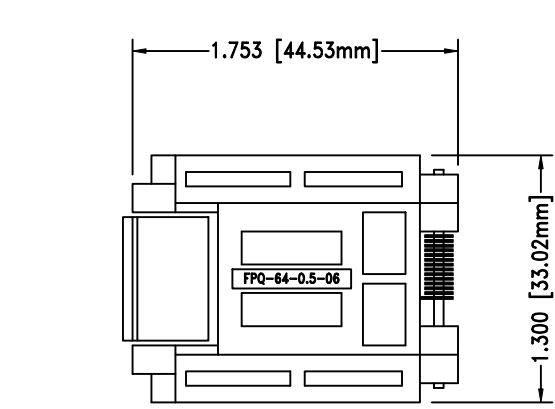


REV	DESCRIPTION	DATE	BY
A	NEW DRAWING	01/12/01	M.D.
B	ADDED CONTACT TAILS & FHS	01/15/02	H.N.

SKT116
DOD 4116



SCALE 1.5:1
(PATTERN SHOWN ONLY)

ALL DIMENSIONS ARE IN INCHES UNLESS OTHERWISE SPECIFIED



Emulation Technology, Inc.
— VLSI and SMT ADAPTERS and ACCESSORIES —

2344 Walsh Avenue, Bldg. F
Santa Clara, Ca 95051

TEL:(408)982-0660
FAX:(408)982-0664

ET-PACKAGE CODE= 64-QF64D

- LEAD COUNT= 64
- BODY SIZE= 10.0mm
- LEAD PITCH= 0.5mm
- TIP TO TIP= 12.0mm

SHEET: 1 OF 1	DATE: 01/15/02	REVISION: B	TEST & BURN IN SOCKET
CHECKED: Perry Munroe	DRAWN: Miguel Delgadillo	E.T. PART #:	S-QFP-00-064-C
DO NOT SCALE DRAWING			ID CODE: S-QFP-00-064-C